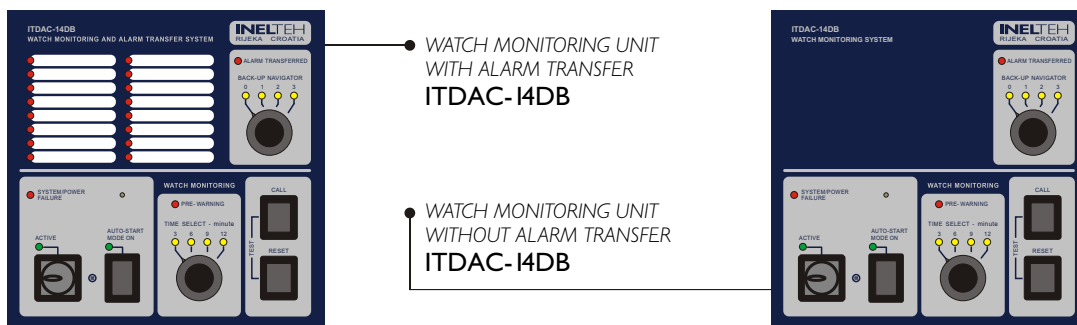


WATCH MONITORING SYSTEM WITH OR WITHOUT ALARM TRANSFER ITDAC-14DB



ITDAC-14DB WATCH MONITORING UNIT WITHOUT ALARM TRANSFER

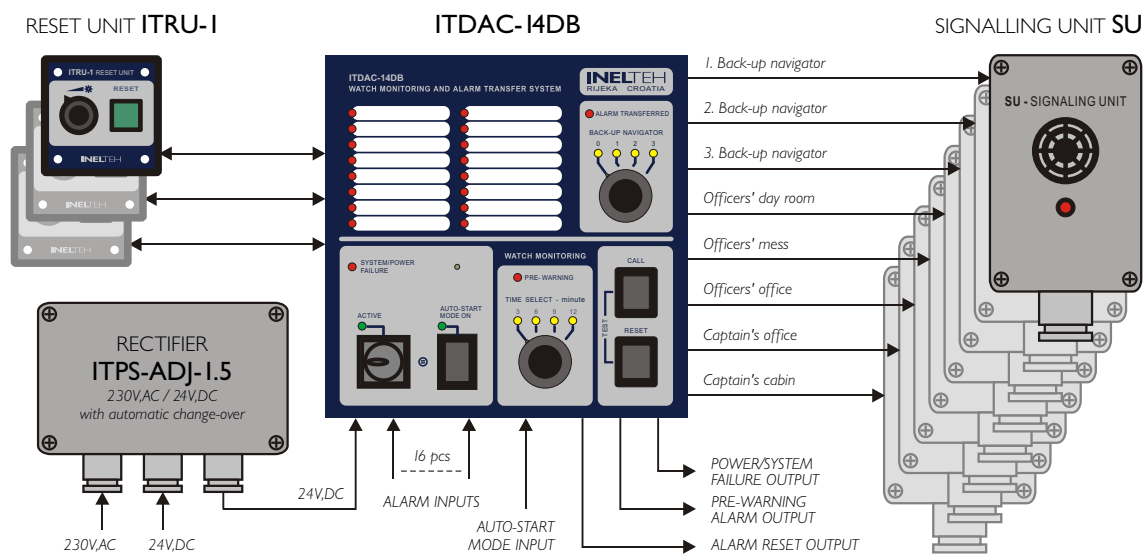
Watch monitoring system, also called "Dead Man alarm for the bridge" ensures the continuous monitoring of the bridge operator fitness. Before using key switch for system activating, time selection should be done (3, 6, 9 or 12 min). When the selected time expires, pre-warning alarm occurs (on the bridge) and can be acknowledged within 30 seconds using RESET button (on ITDAC-14DB or external reset units ITRU-1). If is not acknowledged, alarm will be activated in officers' accommodation on signaling units SU. Auto-start mode input for remote system activation, power/system failure alarm and pre-warning alarm outputs are provided, too.

ITDAC-14DB WATCH MONITORING UNIT WITH ALARM TRANSFER

Comprise two parts: watch monitoring (described above) and alarm transfer for the navigation equipment, specified by rules of classification societies. Alarm caused by any navigation system component (radar, echo-sounder, gyrocompass, ECDIS etc.) connected to the unit, has to be accepted within 30 seconds. If alarm is not accepted, it will be transferred to officers' accommodation and signaled on the signaling units SU. Whenever the alarm is accepted, watch monitoring period is reseted. Auto-start mode input for remote system activation, power/system failure alarm, pre-warning alarm and alarm reset outputs are provided, too.

Equipment is type approved by LR and meets requirements of all major classification societies and IMO regulations.

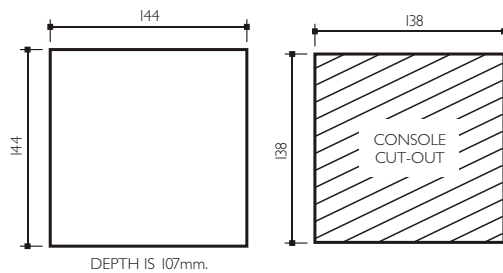
WATCH MONITORING AND ALARM TRANSFER SYSTEM BLOCK DIAGRAM



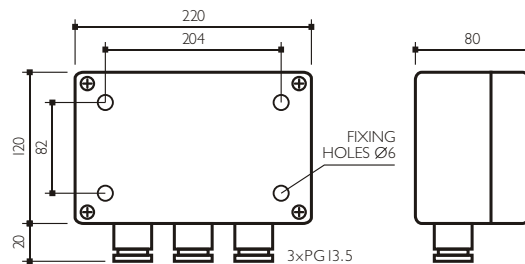
ITDAC-14DB TECHNICAL CHARACTERISTICS

- Power supply: 18-33V DC
- Consumption: max. 0.4A on 24V DC
- Alarm inputs: max. 16 N.O. or N.C. voltage-free contacts (only for unit with alarm transfer)
- Auto-start mode - voltage-free input contact for remote system activation
- Watch monitoring time: 3, 6, 9 or 12 min, selectable by "Time select" rotary switch
- Pre-warning alarm - blinking "Pre-warning" LED, local audible alarm and voltage-free output contact for external pre-warning alarm signalization
- Pre warning time: 30s (first 15s only visual signalization, after that visual + audio signalization)
- Reset units type ITRU-1 with illuminated reset button and dimmer (available for flush, bulkhead or bulkhead IP56 mounting) and motion detectors (all of them reset only watch monitoring time)
- Max. number of external reset units: unlimited
- Alarm reset voltage-free output contact (follows state of "Reset" button mounted on the main unit, only for unit with alarm transfer)
- Alarm transfer - LED "Alarm transferred" + 12V DC outputs to 1st, 2nd, 3rd back-up navigator (selectable by "Back-up navigator" rotary switch) and to other officers' accommodations - INELTEH's SU signalling units are required
- Signalling units type SU with buzzer and "Alarm" LED; available for flush or bulkhead mounting
- Max. number of external signalling units: 10
- Power/system failure - voltage-free output contact
- Output C.O. voltage-free contact for transfer alarm to VDR (option)
- Third stage of alarm output, 90 sec after second stage alarm is released (option)

ITDAC-14DB DIMENSIONS

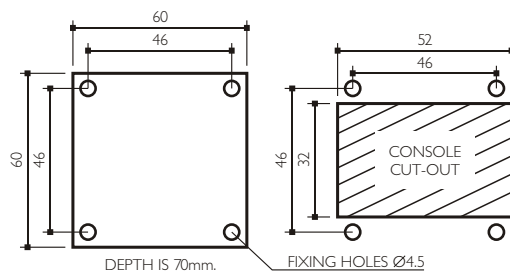


ITPS-ADJ-1.5 (Rectifier) DIMENSIONS



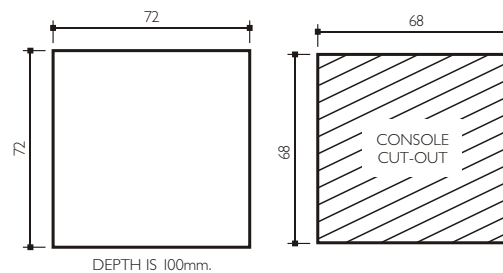
ITRU-1 (Reset unit) DIMENSIONS

FLUSH MOUNTING:

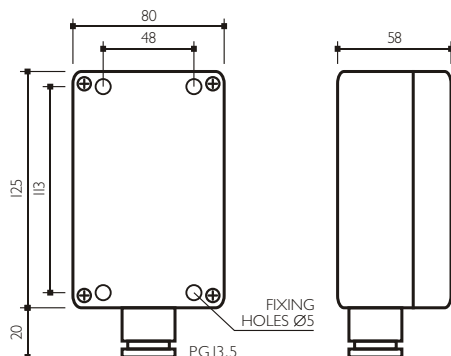


SU (Signalling unit) DIMENSIONS

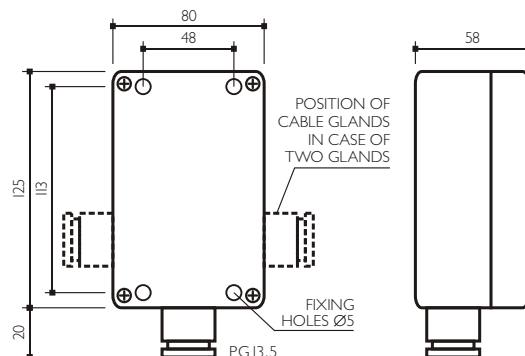
FLUSH MOUNTING:



BULKHEAD MOUNTING:



BULKHEAD MOUNTING:



All dimensions are in mm.